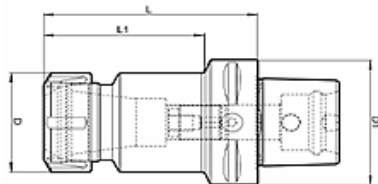
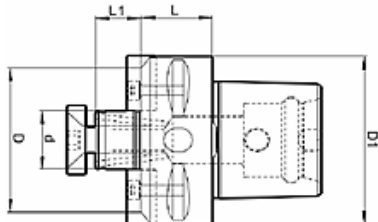


ER-KIRISTYSHOLKKIPIDIN, DIN 26623-1



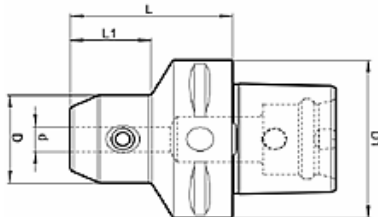
CAPTO	ER	L	L1	D1	D	TUOTENRO	HINTA
C4	16	70	44	40	28	G910C40x16x70	XX,XX
C4	25	52	-	40	42	G910C40x25x52	XX,XX
C5	16	100	60	50	28	G910C50x16x100	XX,XX
C5	25	55	33	50	42	G910C50x25x55	XX,XX
C5	32	57	-	50	50	G910C50x32x57	XX,XX
C6	16	100	60	63	28	G910C63x16x100	XX,XX
C6	25	60	33	63	42	G910C63x25x60	XX,XX
C6	25	100	75	63	42	G910C63x25x100	XX,XX
C6	32	60	35	63	50	G910C63x32x60	XX,XX
C6	32	100	75	63	50	G910C63x32x100	XX,XX
C6	40	65	-	63	63	G910C63x40x65	XX,XX
C6	40	130	-	63	63	G910C63x40x130	XX,XX
C8	25	70	32	80	42	G910C80x25x70	XX,XX
C8	32	70	35	80	50	G910C80x32x70	XX,XX
C8	40	70	38	80	63	G910C80x40x70	XX,XX

OTSAJYRSINTUURNA, DIN 26623-1



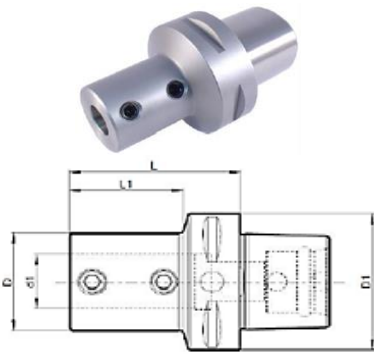
CAPTO	d	L	L1	D1	D	TUOTENRO	HINTA
C4	16	32	11	40	32	G942C40x16x32	XX,XX
C4	22	25	16	40	40	G942C40x22x25	XX,XX
C5	22	25	16	50	50	G942C50x22x25	XX,XX
C5	27	25	18	50	56	G942C50x27x25	XX,XX
C5	32	40	20	50	63	G942C50x32x40	XX,XX
C6	16	40	11	63	32	G942C63x16x40	XX,XX
C6	22	25	16	63	55	G942C63x22x25	XX,XX
C6	27	25	18	63	63	G942C63x27x25	XX,XX
C6	32	25	20	63	63	G942C63x32x25	XX,XX
C8	16	50	11	80	32	G942C80x16x50	XX,XX
C8	22	30	16	80	55	G942C80x22x30	XX,XX
C8	27	30	18	80	65	G942C80x27x30	XX,XX
C8	32	30	20	80	80	G942C80x32x30	XX,XX
C8	40	30	23	80	80	G942C80x40x30	XX,XX

WELDON-PIDIN, DIN 26623-1



CAPTO	d	L	L1	D1	D	TUOTENRO	HINTA
C4	6	50	25	40	25	G920C40x6x50	XX,XX
C4	8	50	26	40	28	G920C40x8x50	XX,XX
C4	10	51	29	40	35	G920C40x10x51	XX,XX
C4	12	55	-	40	42	G920C40x12x55	XX,XX
C4	16	55	-	40	48	G920C40x16x55	XX,XX
C5	6	50	26	50	25	G920C50x6x50	XX,XX
C5	8	50	26	50	28	G920C50x8x50	XX,XX
C5	10	55	28	50	35	G920C50x10x55	XX,XX
C5	12	60	36	50	42	G920C50x12x60	XX,XX
C5	16	60	40	50	48	G920C50x16x60	XX,XX
C5	20	60	-	50	52	G920C50x20x60	XX,XX
C5	25	80	-	50	64	G920C50x25x80	XX,XX
C6	6	55	25	63	25	G920C63x6x55	XX,XX
C6	8	55	26	63	28	G920C63x8x55	XX,XX
C6	10	60	30	63	35	G920C63x10x60	XX,XX
C6	12	60	33	63	42	G920C63x12x60	XX,XX
C6	14	60	34	63	44	G920C63x14x60	XX,XX
C6	16	65	34	63	48	G920C63x16x65	XX,XX
C6	20	65	38	63	52	G920C63x20x65	XX,XX
C6	25	80	-	63	63	G920C63x25x80	XX,XX
C6	32	90	-	63	72	G920C63x32x90	XX,XX
C8	6	70	27	80	25	G920C80x6x70	XX,XX
C8	8	70	28	80	28	G920C80x8x70	XX,XX
C8	10	70	29	80	35	G920C80x10x70	XX,XX
C8	12	70	31	80	42	G920C80x12x70	XX,XX
C8	16	70	32	80	48	G920C80x16x70	XX,XX
C8	20	70	35	80	52	G920C80x20x70	XX,XX
C8	25	80	50	80	64	G920C80x25x80	XX,XX
C8	32	80	50	80	72	G920C80x32x80	XX,XX
C8	40	110	-	80	80	G920C80x40x110	XX,XX

**PORAPIDIN, DIN 26623-1**



CAPTO	d	L	L1	D1	D	TUOTENRO	HINTA
C6	16	70	41	63	36	G942C63x16x70	XX,XX
C6	20	70	42	63	40	G942C63x20x70	XX,XX
C6	25	72	48	63	45	G942C63x25x72	XX,XX
C6	32	75	50	63	52	G942C63x32x75	XX,XX

**KIERTEITYSPIDIN, DIN 26623-1**



CAPTO	KOKO	L	d	D	TUOTENRO	HINTA
C4	1	68	19	41	G917C40x1	XX,XX
C4	2	91	31	60	G917C40x2	XX,XX
C5	1	68	19	41	G917C50x1	XX,XX
C5	2	91	31	60	G917C50x2	XX,XX
C6	1	73	19	41	G917C63x1	XX,XX
C6	2	97	31	60	G917C63x2	XX,XX
C6	3	146	48	86	G917C63x3	XX,XX
C8	1	75	19	41	G917C80x1	XX,XX
C8	2	94	31	60	G917C80x2	XX,XX
C8	3	137	48	86	G917C80x3	XX,XX