

_TOOL SUPPLY SYSTEM

Walter Networkline – cost-effective tool dispensing for your production.



The face of modern tool management.

INDIVIDUAL. AVAILABLE. TRANSPARENT.

Networkline, Walter's tool dispensing system, puts all the tools that you require for a particular user group at your disposal, with the utmost reliability, whenever you need them. Not only this, but it can be configured to your own individual requirements and is transparent, because all the relevant data can be retrieved from anywhere in the world via your web browser:

- Usage data
- Tool stock data
- Purchase requisitions

If required, all Walter Networkline tool dispensing systems can be linked and controlled centrally. In production, the cabinets can be operated in different positions if need be. This boosts efficiency as it minimises travel. Further benefits of the tool dispensing systems include their functional design and the maintenance-friendly hardware and software.

Walter's Networkline tool dispensing systems are available in either a spiral version or a drawer version. Cabinets with various different configurations are available in stock. The systems can also be configured according to individual requirements.

YOUR ADVANTAGES

- Reduced tool stock size
- Production equipment available at all times
- Fewer production downtimes
- No unnecessary "block stocks" or stocks that have just been "left lying around somewhere"
- Shorter travel distances from store to machine

SIMPLE, INNOVATIVE: WEB-BASED DATA MANAGEMENT

- System maintenance is already covered by the user fee
- Updates are automatically installed without any additional charges
- No need to install any additional software
- Unlimited storage capacity (memory)
- No need to provide local IT resources
- No need for local back-up management
- Data availability guaranteed at all times

Drawer type tool dispensing system Networkline WA1001M/WA3001M



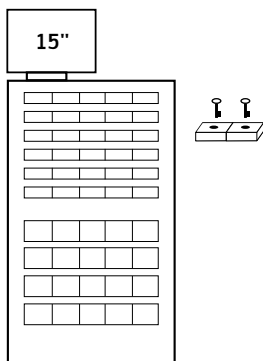
- Individual compartment locking system
- More than 20 different compartment sizes available
- 15" touchscreen
- Barcode scanner (optional)
- Magnetic card/RFID reader (optional)
- Clear height: 900 mm
- Weight: 200-350 kg (unloaded)
- Dimensions (W x D x H): 720 mm x 730 mm x 1520 mm

Standard configuration WA1001M

Number of drawers	Drawer height mm	Compartment designation	Number of compartments	Type / number of compartments	Compartment size mm (W x D x H)	Total number of compartments
1	200	SBD	108, divided into	1 / 96	127 x 60 x 19	256 individual locking
				2 / 8	79 x 162 x 19	
				4 / 4	75 x 162 x 50	
1	100	48 lid	48	-	92 x 28 x 25	
1	125	24 lid	24	-	125 x 56 x 75	
2	100	24 lid	24	-	125 x 56 x 75	
1	150	16 lid	16	-	126 x 102 x 52	
1	125	12 lid	12	-	275 x 56 x 40	

Standard configuration WA3001M

Number of drawers	Drawer height mm	Compartment designation	Number of compartments	Type / number of compartments	Compartment size mm (W x D x H)	Total number of compartments
1	100	48 lid	48	-	92 x 28 x 25	212 individual locking
1	100	36 lid	48, divided into	1 / 24	92 x 16 x 27	
				2 / 12	182 x 19 x 27	
4	100	24 lid	24	-	125 x 56 x 75	
2	150	16 lid	16	-	126 x 102 x 52	



DRAWER SYSTEM

- Cost-effective system for tools with low tool change frequency
- Highly flexible and individually adaptable to your tools
- Tools can be removed and recycled by the machine operator
- Management of loan tools and measuring equipment

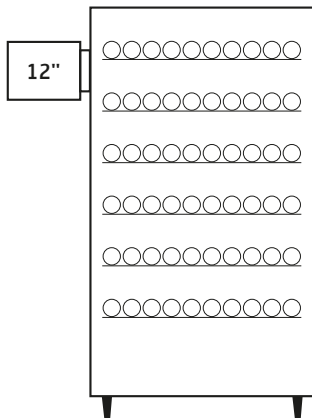
Spiral type tool dispensing system Networkline WA4001M

- Six levels with max. 10 spirals
- More than five types of spiral
- Wide range of different accessories for individual requirements
- 12" touchscreen
- Barcode scanner (optional)
- Magnetic card/RFID reader (optional)
- Weight: 350 kg (unloaded)
- Dimensions (W x D x H): 1041 mm x 830 mm x 1930 mm



Standard configuration WA4001M

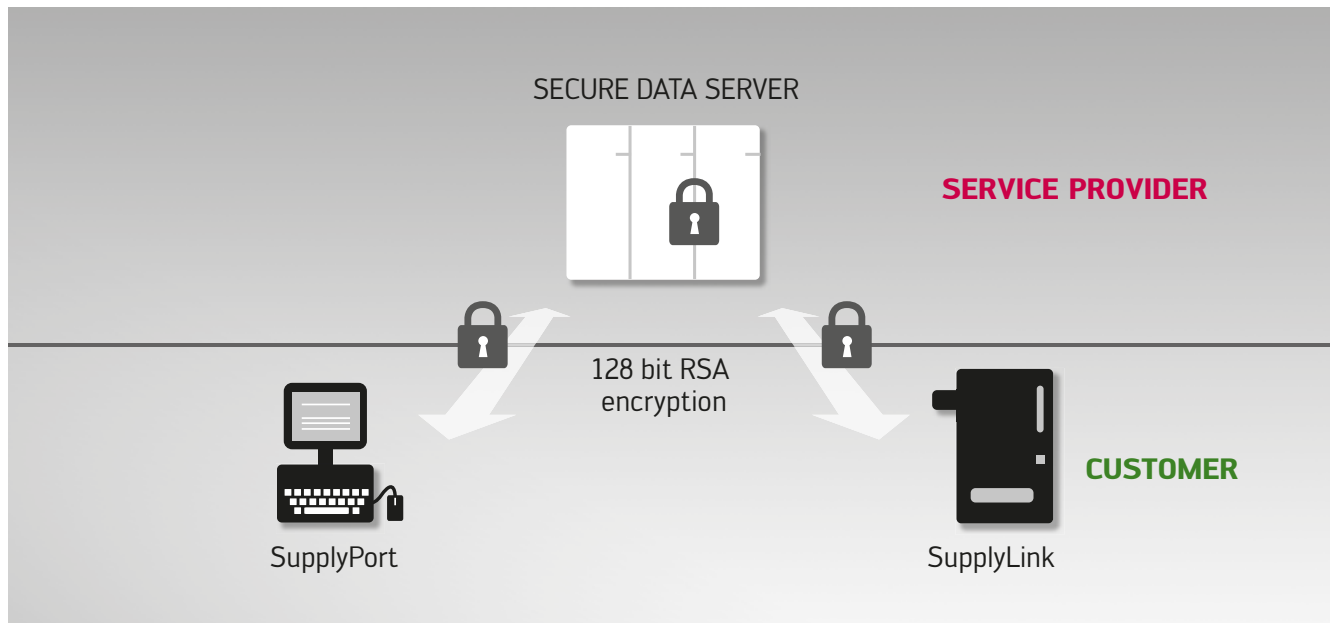
Level	Spirals										Number of spirals	Number of storage locations	
	1	2	3	4	5	6	7	8	9	10			
A	24	24	24	24	24	24	24	24	24	24	24	10	240
B	24	24	24	24	24	24	24	24	24	24	24	10	240
C	18	18	18	18	18	18	18	24	24	24	24	10	198
D	24	24	24	24	24	24	24	24	24	24	24	10	240
E	24	24	24	24	24	24	24	24	24	24	24	10	240
F	8		8		9	24	24	12	12	12	12	8	109
Total											58	1.267	



SPIRAL SYSTEM

- Extremely effective system for consumable tools with a high rate of turnover
- Ideal for storing indexable inserts
- 100% removal control
- Return compartment for recycling tools
- Wide range of different accessories for individual requirements

Transparent support, easy management: SupplyLink and SupplyPort.



HIGHLY EFFICIENT STORAGE ORGANISATION – FAST, RELIABLE AND IN REAL TIME

Web-based administration interface SupplyPort supports you in managing user rights, the material master data for your tools and measuring equipment, your minimum stock levels, and much more.

The easy-to-use touchscreens and intuitive SupplyLink interface make the dispensing machines themselves a real asset.

FUNCTIONS – SUPPLY PORT

- Managing product and master data
- Establishing reorder levels and maximum stock levels
- Management of reground tools
- Management of loan tools and measuring equipment
- Product kits
- Individual assignment of product and access rights
- Cost accounting for cost centres and/or order-related costs
- A multitude of different analysis options
- Supplier management
- Management of purchase requisitions
- Structured user administration

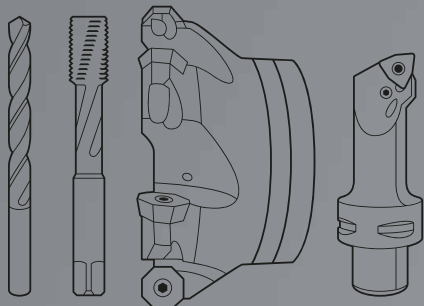
FUNCTIONS – SUPPLY LINK

- Tool retrieval
- Returning tools to storage
- Replenishment of used tools
- Storing new products
- Removing discontinued products from storage
- Stock reconciliation / stocktaking
- Deleting incorrect entries

Walter AG

Derendinger Straße 53, 72072 Tübingen
Postfach 2049, 72010 Tübingen
Germany

www.walter-tools.com



Walter GB Ltd.

Bromsgrove, England
+44 (1527) 839 450, service.uk@walter-tools.com

Walter Kesici Takımlar Sanayi ve Ticaret Ltd. Şti.

Istanbul, Türkiye
+90 (216) 528 1900 Pbx, service.tr@walter-tools.com

Walter Wuxi Co. Ltd.

Wuxi, Jiangsu, P.R. China
+86 (510) 8241 9399, service.cn@walter-tools.com

Walter AG Singapore Pte. Ltd.

+65 6773 6180, service.sg@walter-tools.com

Walter Korea Ltd.

Anyang-si Gyeonggi-do, Korea
+82 (31) 337 6100, service.kr@walter-tools.com

Walter Tools India Pvt. Ltd.

Pune, India
+91 (20) 3045 7300, service.in@walter-tools.com

Walter (Thailand) Co., Ltd.

Bangkok, 10120, Thailand
+66 2 687 0388, service.th@walter-tools.com

Walter Malaysia Sdn. Bhd.

Selangor D.E., Malaysia
+60 (3) 8023 7748, service.my@walter-tools.com

Walter Japan K.K.

Nagoya, Japan
+81 (52) 533 6135, service.jp@walter-tools.com

Walter USA, LLC

Waukesha WI, USA
+1 800-945-5554, service.us@walter-tools.com

Walter Canada

Mississauga, Canada
service.ca@walter-tools.com
