

_ XTRA-TEC® XT – XTENDED TECHNOLOGY

**Performance
and reliability extend
your perspective.**

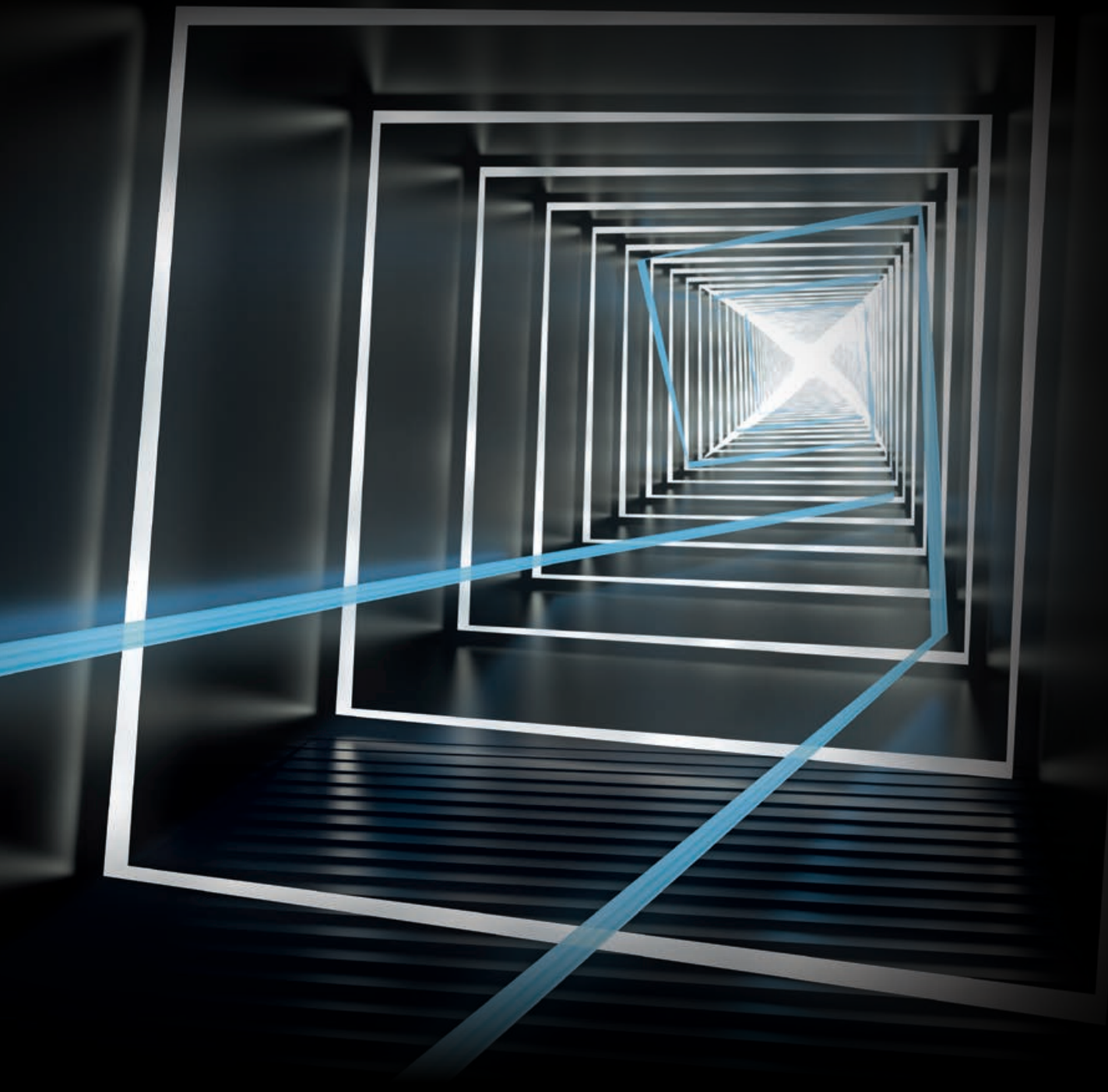
Product innovations

Milling

Xtra-tec® XT

**PERFORMANCE AND RELIABILITY
IN EQUAL MEASURE –
A UNIQUE EXPERIENCE.**





Xtra-tec® XT

**Better performance, greater process reliability:
The latest generation in the successful range of Walter
milling tools not only meets both these requirements
but takes them to a whole new level.**

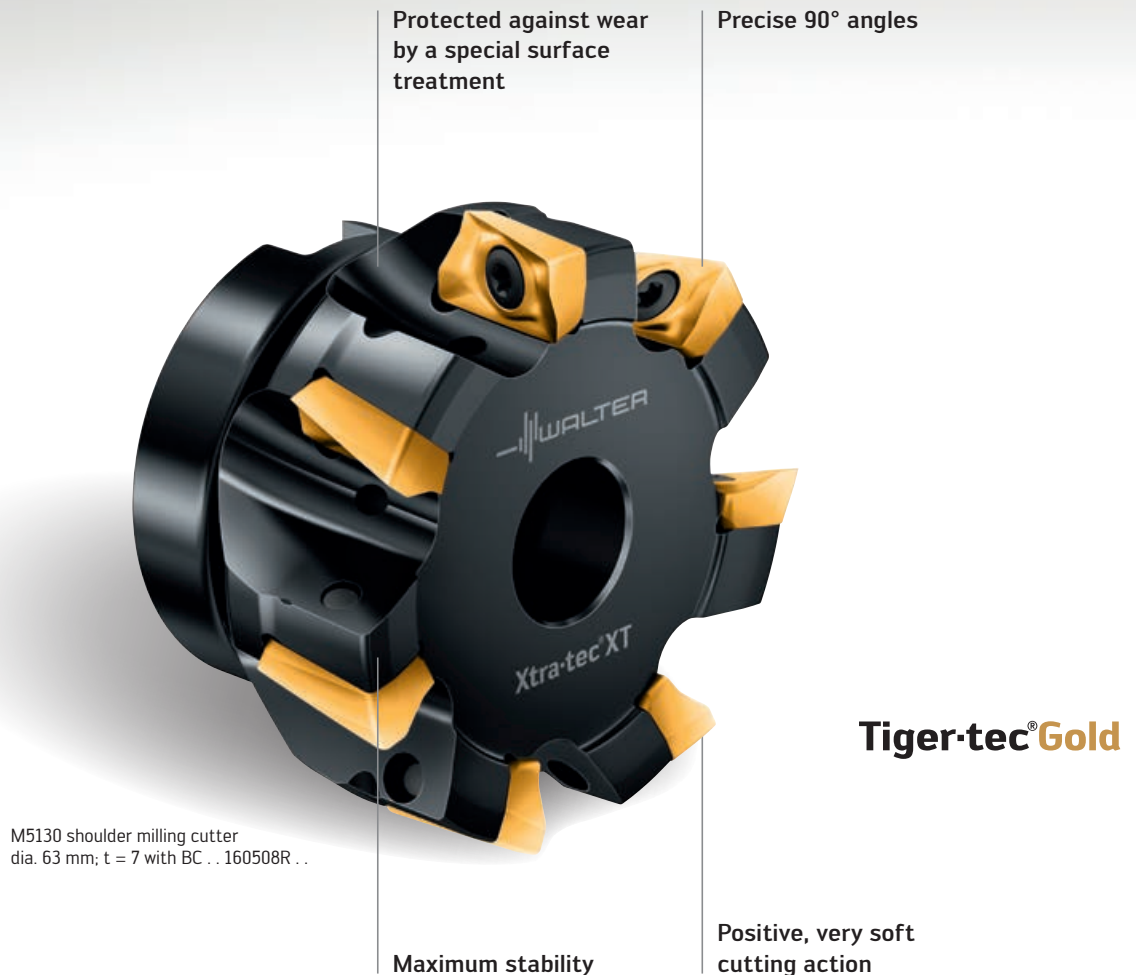
These two defining characteristics, evident in equal measure, are the product of an innovative and pioneering development process that is opening up a completely new perspective on productivity. The name alone means business: XT stands for Xtended Technology.

At Walter, we have never been afraid of setting ourselves ambitious goals. This two-fold challenge – performance and process reliability – is the key to a new perspective with Xtra-tec® XT.

For identifying two objectives and eventually reaching them together is no mean achievement.

A new perspective on productivity: Xtra-tec® XT.

POSITIONING MAKES ALL THE DIFFERENCE.



Xtra-tec® XT

Xtra-tec® XT by Walter boasts a striking new design feature: **The pocket position design for the Tiger-tec® indexable inserts.** This may sound simple but it has a huge impact: When used in combination with the superior properties of Tiger-tec® cutting tool materials, the new arrangement of the indexable inserts opens up a completely new perspective on productivity. Never before has so much performance potential been available in machining – and never before has it been so reliable.

What are the key advantages of the pocket position design? Better performance and greater process reliability:

- The larger insert cross-section surrounding the indexable insert hole ensures far greater stability.
- Directing the machining force towards the body improves process reliability.
- Larger cross-sections in the insert pocket make the tool bodies more robust.
- The indexable inserts now have a larger contact surface, which has the advantage of significantly reducing insert to body surface pressure.
- Improved access for a screwdriver makes for better handling.
- High numbers of teeth improve productivity.

New pocket position design: Xtra-tec® XT

Larger cross-section

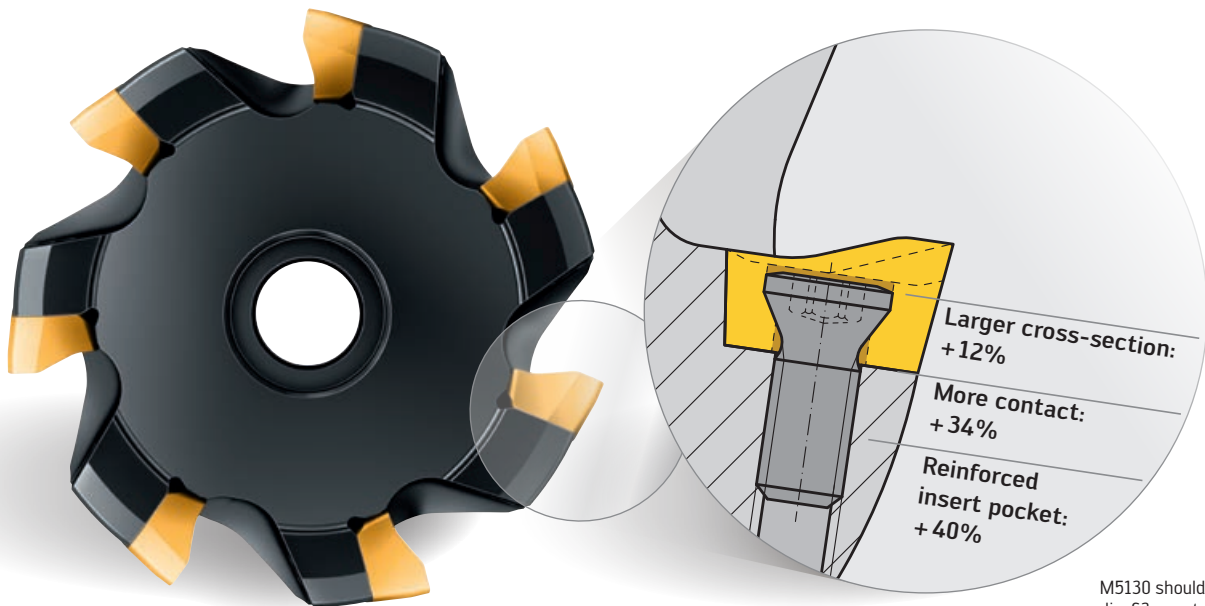
The larger insert cross-section surrounding the indexable insert hole ensures far higher stability.

More contact

The smaller clearance angle of the indexable inserts results in a larger contact surface, which reduces surface pressure.

Reinforced insert pocket

The optimised position of the insert pocket makes it more resilient and enables longer screws to be used.



M5130 shoulder milling cutter
dia. 63 mm; t = 7 with BC...160508R...

Larger cross-section



More contact



Reinforced insert pocket



Additional finishing operations are avoided

- The accurate 90° approach angle of Xtra-tec® XT shoulder milling cutters and the version with secondary cutting edges help to reduce the need for subsequent machining.

Universal properties

- Logistics and storage costs decreased thanks to the wide range of applications that Xtra-tec® XT shoulder milling cutters can be used for: Face milling, shoulder milling, ramping, pocket milling and circular interpolation milling.
- Xtra-tec® XT can be used to machine all common material groups: Steel, stainless steel, cast iron, non-ferrous metals and materials with difficult cutting properties.

Lower tool costs thanks to optimised tools

- Tools can be optimally adapted to any machining situation using different insert sizes and corner radii from 0.2 to 6 mm.
- Tools with small indexable inserts and a higher number of teeth, for example for workpieces with tight machining allowances.

Check the availability of all Xtra-tec® XT tools at www.xtratec-xt.walter

SMALL INDEXABLE INSERT? GREAT IDEA!



M5130 shoulder milling cutter
dia. 40 mm; t = 10 with AC . . 0602 . .

Tiger-tec®Silver



M5130 shoulder milling cutter
dia. 20 mm; t = 5 with AC . . 0602 . .

Tiger-tec®Gold

Xtra-tec® XT

Higher stability offers numerous advantages, not least greater productivity, process reliability and efficiency

Using smaller indexable inserts makes it possible to have more teeth. The extra feed this creates and the additional stability offered by Xtra-tec® XT set a new benchmark in this combination. For anyone wanting to go a step further and take a holistic approach to productivity, the maximum feed cannot be the only criterion. Xtra-tec® XT can do so much more, meaning it offers a new perspective on productivity.

Smaller means more reliable and more productive

When you need to adapt a tool to a component as effectively as possible – i.e. tight machining allowances, unstable conditions – tools with small indexable inserts and a high number of teeth

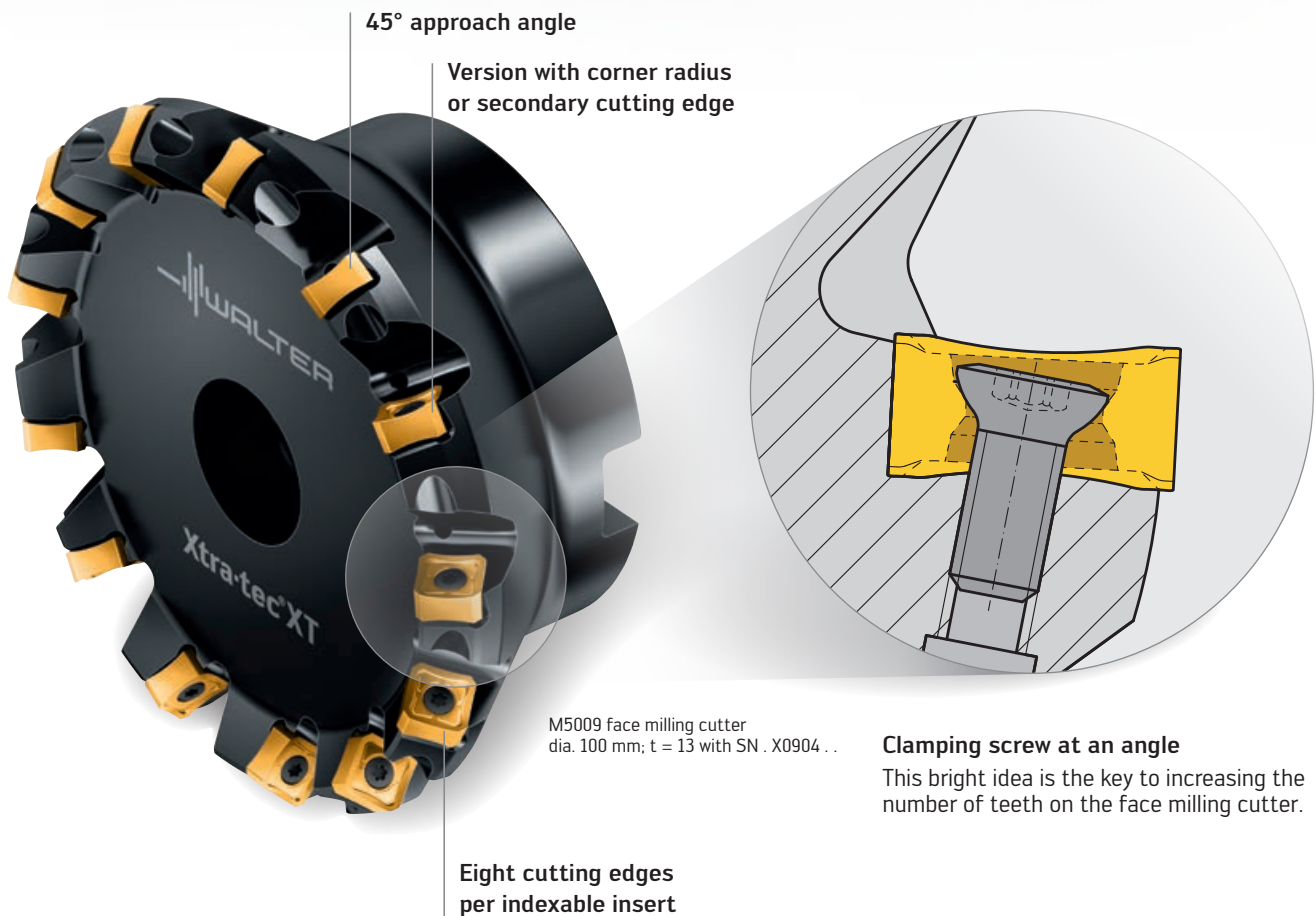
are the number one choice. Xtra-tec® XT constitutes a real alternative to solid carbide tools, especially where small tool diameters are concerned.

It's easy to see: Having a higher number of teeth increases feed and tool life – resulting in greater productivity and process reliability.

More reliable means easier to handle

Fitting small indexable inserts is not always an easy task. Thanks to its new pocket position design for the indexable inserts, Xtra-tec® XT facilitates access to the clamping screw, which helps to avoid typical assembly errors.

THIS IS HOW MORE TEETH EQUALS MORE SUSTAINABILITY.



Easy-cutting geometries

Xtra-tec® XT is so efficient at machining that productivity can be improved even when using less powerful machines.

Tougher, double-sided indexable inserts with the clamping screw at an angle: More teeth for 45° face milling cutters

Eight cutting edges per indexable insert make machining precise and reliable – even over a long period of time. The resulting reduction in the cost of cutting materials and the more efficient use of resources are more than just happy side effects.

Invest in the future

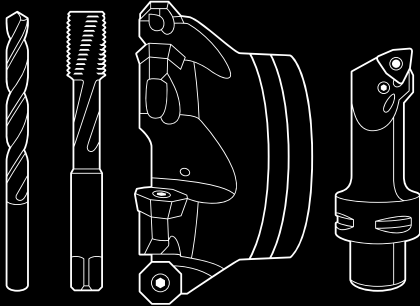
Xtra-tec® XT and Walter Green represent shared responsibility for our use of precious resources. From sourcing the raw materials to development and manufacture, all the way through to packaging and storage – the entire CO₂ needs of Xtra-tec® XT are balanced, documented and compensated.

Walter Green

Walter AG

Derendinger Straße 53, 72072 Tübingen
Postfach 2049, 72010 Tübingen
Germany

www.walter-tools.com
www.xtratec-xt.walter



Walter GB Ltd.

Bromsgrove, England
+44 (1527) 839 450, service.uk@walter-tools.com

Walter Kesici Takımlar Sanayi ve Ticaret Ltd. Şti.

Istanbul, Türkiye
+90 (0) 216 528 1900 Pbx, service.tr@walter-tools.com

Walter Wuxi Co. Ltd.

Wuxi, Jiangsu, P.R. China
+86 (510) 853 72199, service.cn@walter-tools.com

Walter AG Singapore Pte. Ltd.

+65 6773 6180, service.sg@walter-tools.com

Walter Korea Ltd.

Anyang-si Gyeonggi-do, Korea
+82 (31) 337 6100, service.kr@walter-tools.com

Walter Tools India Pvt. Ltd.

Pune, India
+91 (20) 3045 7300, service.in@walter-tools.com

Walter (Thailand) Co., Ltd.

Bangkok, 10120, Thailand
+66 2 687 0388, service.th@walter-tools.com

Walter Malaysia Sdn. Bhd.

Selangor D.E., Malaysia
+60 (3) 5624 4265, service.my@walter-tools.com

Walter Japan K.K.

Nagoya, Japan
+81 (52) 533 6135, service.jp@walter-tools.com

Walter USA, LLC

Waukesha WI, USA
+1 800-945-5554, service.us@walter-tools.com

Walter Canada

Mississauga, Canada
service.ca@walter-tools.com